



CONCRETE CRUSHER

CC260

Great power with small size!



- Crushes concrete up to 25 cm (10,2 inches)
- Excellent performance
- Only a small carrier required
- Ideally suited for demolition in tight places
- A built-in booster makes the crusher independent of the carrier's working pressure
- Pivot for 360° rotation

darda[®]

We've got the power.

CONCRETE CRUSHER

CC260

**Small, compact,
and simply crushing!**

Specifications CC260

Measurements

Total length ¹	700 mm	28 inches
Total width	550 mm	22 inches
Total height	200 mm	8 inches
Distance between crusher tips max.	250 mm	10 inches

Weights

Total weight ¹	74 kg	163 lbs
Recommended weight of carrier max. ²	1,2 t	2650 lbs

Hydraulics

Pressure min.	15,5 MPa (155 bar)	2248 psi
Pressure max.	27,0 MPa (270 bar)	3916 psi
Working pressure	50,0 MPa (500 bar)	7252 psi
Oil flow max.	30 l/min	8 US gal/min

Performance (at input pressure min. 15,5 MPa (155 bar))

Crushing force max. ³	220 kN (22t)	49458 lbf
Cutting force max. ⁴	420 kN (42,8t)	94447 lbf
Cutting capacity max.	D=16 mm	D=0,6 inches
Time to close ⁵	3 s	3 s
Time to open ⁵	2,5 s	2,5 s

¹ Without mounting plate

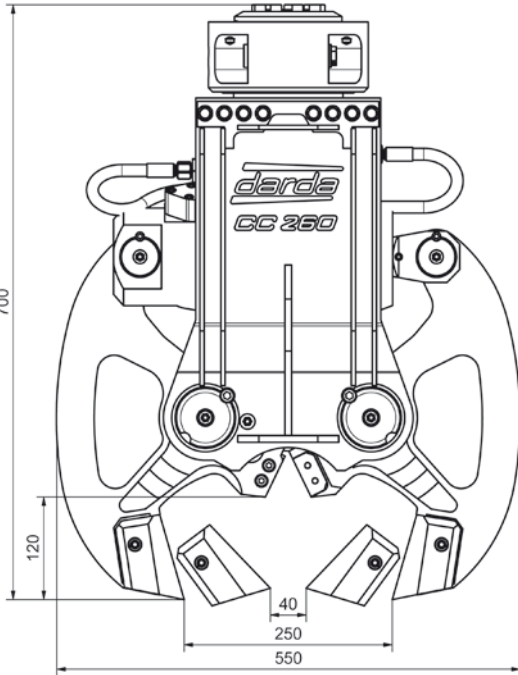
² Depends on carrying capacity table of the mini-excavator manufacturer

³ Force at the crusher tips

⁴ Force at the cutter blades

⁵ With oil flow max.

Mounting plates for different carriers on request



darda®

We've got the power.

Darda GmbH

Im Tal 1, D-78176 Blumberg

Fon + 49 (0) 77 02 / 43 91 - 0

Fax + 49 (0) 77 02 / 43 91 - 12

info@darda.de

www.darda.de

Our distributor: